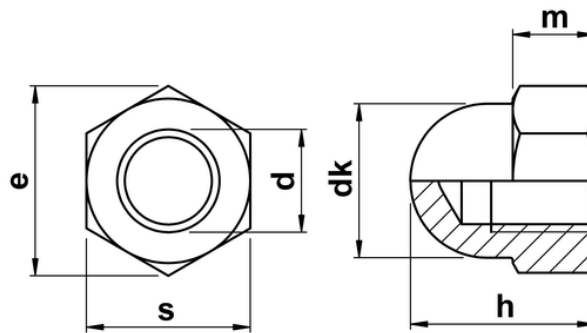




Dome Nuts DIN 1587

A popular nut used in applications where aesthetics are important, giving an attractive look. Domed end also ensures a smooth snag-free finish protecting both the fixing and any foreign body that may come into contact. Also known as an Acorn Nut, these nuts are manufactured to DIN 1587. Also available with a Nyloc insert to DIN 986.



d	thread pitch	m	h	s	e	dk
M3	0.50	2.4	7	5.5	6.01	5.5
M4	0.70	3.2	8	7.0	7.66	6.5
M5	0.80	4.0	10	8.0	8.79	7.5
M6	1.00	5.0	12	10.0	11.05	9.5
M8	1.25	6.5	15	13.0	14.38	12.5
M10	1.50	8.0	18	17.0	18.90	16.0
M12	1.75	10.0	22	19.0	21.10	18.0
M14	2.00	11.0	25	22.0	24.49	21.0
M16	2.00	13.0	28	24.0	26.75	23.0
M18	2.50	15.0	32	27.0	30.14	26.0
M20	2.50	16.0	34	30.0	33.53	28.0
M22	2.50	18.0	39	34.0	37.72	33.0
M24	3.00	19.0	42	36.0	39.98	34.0
M27	3.00	20.0	47	41.0	47.30	40.0
M30	3.50	24.0	52	46.0	52.00	42.0