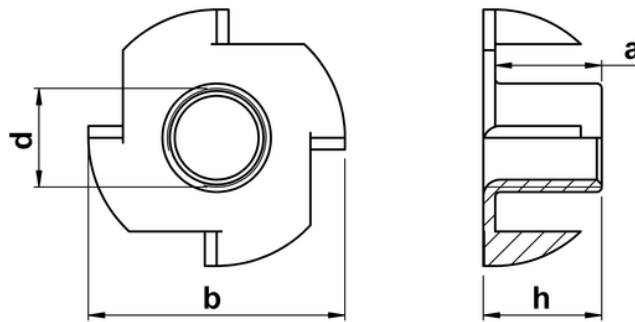




## Pronged Tee Nuts (4 Prongs)

Designed for use when woodworking, providing a threaded insert once fitted. For use on both soft and hard woods, simply drill out a pilot hole of the correct size, hammer into place to give a receiving threaded insert wherever needed. The design incorporates four teeth or prongs for biting into the workpiece. A2 Stainless Steel is suitable for outdoor use with such items as garden furnishings or childrens play equipment. Bright Zinc Plated (BZP) are generally for indoor use or where corrosion is not a concern. Please note that these items are not defined by a standard, and so design features and dimensions can vary between batches.



d	thread pitch	h (approx)	a	b
M4	0.70	8	1.7	15.0
M5	0.80	7.5-9.2	3.1	17.0
M6	1.00	9	3.5	19.0
M8	1.25	11	6.8	22.0
M10	1.50	12	9.4	25.0
M12	1.75	27	12.0	14.5