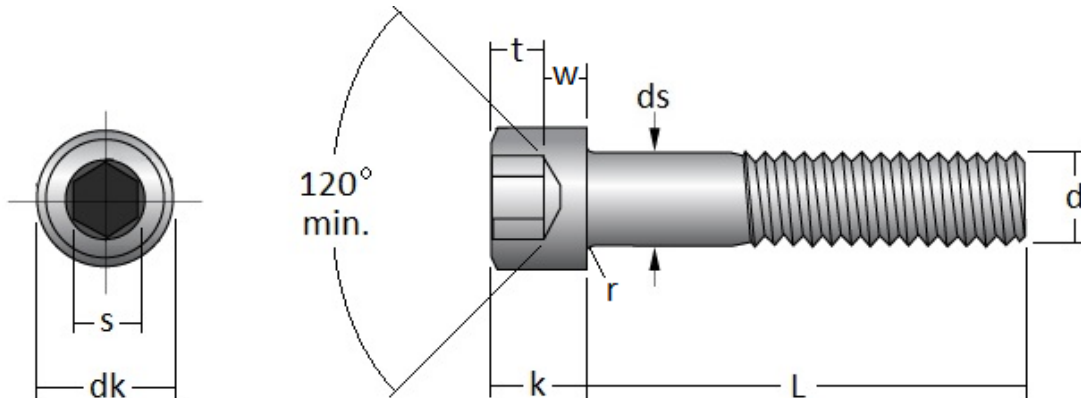




### Metric, Socket Head Cap Screw, ISO 4762, Class 12.9, Black Oxide, Manufactured in the USA

This product standard contains the required dimensional, mechanical, performance, and chemical characteristics of the products shown in this purchase order (as applicable to the product). Unless specified below, current revisions of national or international standards shall be applicable as of the date of Fastenal's purchase order and must be adhered to in their entirety. If the order received does not meet these requirements, corrective action may be issued which could jeopardize your status as an approved supplier to Fastenal.



Diameter	dk		ds		k		s		r	t	w
	Max.	Min.	Max.	Min.	Max.	Min.	Max.	Min.	Min.	Min.	Min.
M2	3.98	3.62	2.00	1.86	2.00	1.86	1.545	1.520	0.1	1.0	0.55
M2.5	4.68	4.32	2.50	2.36	2.50	2.36	2.045	2.020	0.1	1.1	0.85
M3	5.68	5.32	3.00	2.86	3.00	2.86	2.56	2.52	0.1	1.3	1.15
M4	7.22	6.78	4.00	3.82	4.00	3.82	3.071	3.02	0.2	2.0	1.40
M5	8.72	8.28	5.00	4.82	5.00	4.82	4.084	4.02	0.2	2.5	1.90
M6	10.22	9.78	6.00	5.82	6.00	5.70	5.084	5.02	0.25	3.0	2.30
M8	13.27	12.73	8.00	7.78	8.00	7.64	6.095	6.02	0.4	4.0	3.30
M10	16.27	15.73	10.00	9.78	10.00	9.64	8.115	8.025	0.4	5.0	4.00
M12	18.27	17.73	12.00	11.73	12.00	11.57	10.115	10.025	0.6	6.0	4.80
M16	24.33	23.67	16.00	15.73	16.00	15.57	14.142	14.032	0.6	8.0	6.80
M20	30.33	29.67	20.00	19.67	20.00	19.48	17.23	17.05	0.8	10.0	8.60
M24	36.39	35.61	24.00	23.67	24.00	23.48	19.275	19.065	0.8	12.0	10.40
M30	45.39	44.61	30.00	29.67	30.00	29.48	22.275	22.065	1.0	15.5	13.10
M36	54.46	53.54	36.00	35.61	36.00	35.38	27.275	27.065	1.0	19.0	15.30

**RECORD OF REVISION CHANGES TO THIS DOCUMENT ARE LOCATED ON THE LAST PAGE**



**Specification Requirements:**

- Dimensions: ISO 4762
- Threads: 4g6g
- Material & Mechanical: ISO 898-1; Class 12.9
- Product Marking: Manufacturer's ID
- Finish: Black Oxide (Thermal or Chemical)
- Material Test Reports: The MTR must have documented lot traceability, dimensional results, full chemical test results and full mechanical test results to the specification(s) above. In addition, the MTR shall be in full compliance with Fastenal's MTR Requirements.
  
- Quality Assurance Provisions: Category 3 of ASMEB18.18

**Revision Level Changes to this Document**

Document Name	Revision Level	Revision Date	Rationale for Revision
HK.M.SHCS.12.9.BO	06	3/14/2018	Changed class of thread fit from 5g6g to 4g6g.
HK.M.SHCS.4762.12.9.BO	00	1/7/2019	Revised title.

The rationale above may not include all of the changes within each revision. A complete review of the Fastenal Product Standard is required.