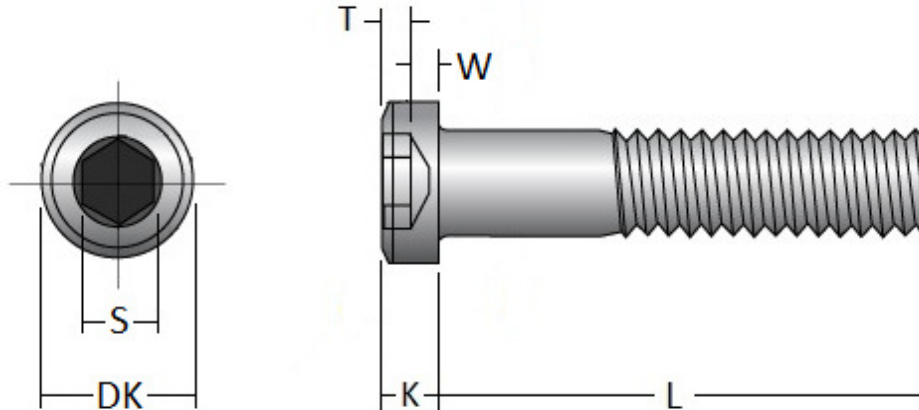




Low Head Socket Cap Screws, Metric, Black Oxide, Class 10.9, Manufactured in the USA

The information below lists the required dimensional, chemical and physical characteristics of the products in this purchase order. If the order received does not meet these requirements, it may result in a supplier corrective action request, which could jeopardize your status as an approved vendor. Unless otherwise specified, all referenced consensus standards must be adhered to in their entirety.



Diameter	DK		K		S	T	W
	Min.	Max.	Min.	Max.	Nom.	Min.	Min.
M4	6.78	7	2.66	2.8	3	1.48	1.06
M5	8.28	8.5	3.32	3.5	4	1.85	1.39
M6	9.78	10	3.82	4	5	2.09	1.65
M8	12.73	13	4.82	5	6	2.48	2.24
M10	15.73	16	6.32	6.5	8	3.36	2.86
M12	17.73	18	7.78	8	10	4.26	3.46
M16	23.67	24	9.78	10	12	4.76	4.91

Specification Requirements:

- Dimensions: See Table Above
- Threads: 4g6g
- Material & Mechanical Properties: ISO 898-1; Class 10.9
- Product Marking: Manufacturer's ID
- Finish: Black Oxide (Thermal or Chemical)
- Material Test Reports: The MTR must have documented lot traceability, dimensional results, full chemical test results and full mechanical test results to the specification(s) above. In addition, the MTR shall be in full compliance with Fastenal's MTR Requirements.
- Quality Assurance Provisions: Category 3 of ASME B18.18