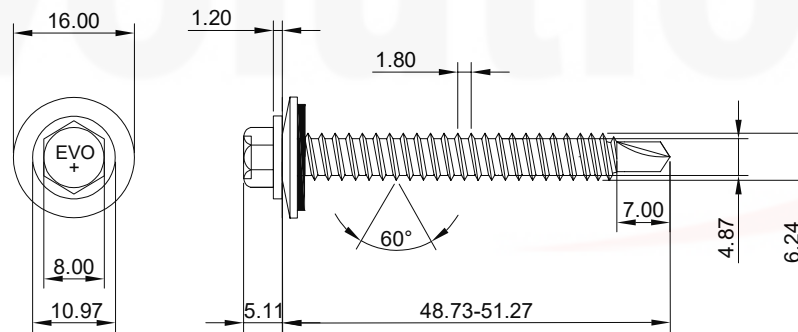
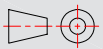


TSHF-6.3-38



TSHF-6.3-50

Evolution Fasteners UK Ltd		
DESCRIPTION:	TSHF RANGE	SHEET: 01 ISSUE: A
WASHER AND MATERIAL GRADE:	Carbon Steel (C1022 grade)	
COATING:	EvoShield 500HR	
	evolution	