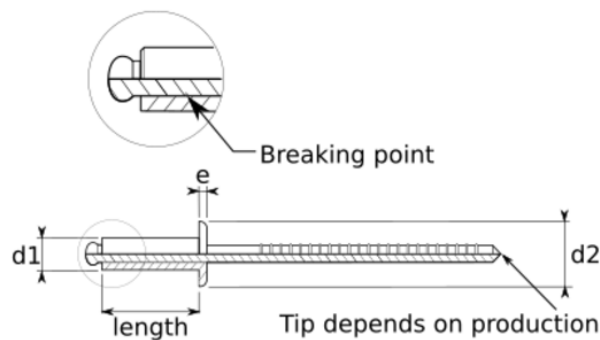




Blind Rivets with Pan or Dome Head to ISO 15983

Blind rivets, also known as pop rivets, are an unthreaded fastener, and can be used when access is only available on one side of the workpiece or joint. These rivets are fitted using one of several types of riveting tool. These items are manufactured in many different types and material combinations. The examples here are the standard open type, with a domed or pan head, and are to the ISO 15983 standard, unless stated otherwise.



d1	d2	clamp. range	length	e	Shear load N	Tensile load N	Mandrel break load N
3.0	5.4 - 6.3	0.5 - 3.0	6	1.3	1800	2200	4100
3.0	5.4 - 6.3	3.0 - 5.0	8	1.3	1800	2200	4100
3.0	5.4 - 6.3	5.0 - 6.5	10	1.3	1800	2200	4100
3.0	5.4 - 6.3	6.5 - 8.5	12	1.3	1800	2200	4100
3.0	5.4 - 6.3	8.5 - 10.5	14	1.3	1800	2200	4100
3.0	5.4 - 6.3	10.5 - 12.5	16	1.3	1800	2200	4100
3.2	5.8 - 6.7	0.5 - 3.0	6	1.3	1900	2500	4500
3.2	5.8 - 6.7	3.0 - 5.0	8	1.3	1900	2500	4500
3.2	5.8 - 6.7	5.0 - 6.5	10	1.3	1900	2500	4500
3.2	5.8 - 6.7	6.5 - 8.5	12	1.3	1900	2500	4500
3.2	5.8 - 6.7	8.5 - 10.5	14	1.3	1900	2500	4500
3.2	5.8 - 6.7	10.5 - 12.5	16	1.3	1900	2500	4500
4.0	6.9 - 8.4	1.0 - 2.5	6	1.7	2700	3500	6500
4.0	6.9 - 8.4	2.5 - 4.5	8	1.7	2700	3500	6500
4.0	6.9 - 8.4	4.5 - 6.5	10	1.7	2700	3500	6500
4.0	6.9 - 8.4	6.5 - 8.5	12	1.7	2700	3500	6500
4.0	6.9 - 8.4	8.5 - 10.0	14	1.7	2700	3500	6500

d1	d2	clamp. range	length	e	Shear load N	Tensile load N	Mandrel break load N
4.0	6.9 - 8.4	10.0 - 12.0	16	1.7	2700	3500	6500
4.0	6.9 - 8.4	12.0 - 14.0	18	1.7	2700	3500	6500
4.0	6.9 - 8.4	14.0 - 16.0	20	1.7	2700	3500	6500
4.0	6.9 - 8.4	16.0 - 21.0	25	1.7	2700	3500	6500
4.8	8.3 - 10.1	1.5 - 2.0	6	2.0	4000	5000	8500
4.8	8.3 - 10.1	2.0 - 4.0	8	2.0	4000	5000	8500
4.8	8.3 - 10.1	4.0 - 6.0	10	2.0	4000	5000	8500
4.8	8.3 - 10.1	6.0 - 8.0	12	2.0	4000	5000	8500
4.8	8.3 - 10.1	8.0 - 11.0	16	2.0	4000	5000	8500
4.8	8.3 - 10.1	11.0 - 13.0	18	2.0	4000	5000	8500
4.8	8.3 - 10.1	13.0 - 16.0	20	2.0	4000	5000	8500
4.8	8.3 - 10.1	16.0 - 19.0	25	2.0	4000	5000	8500
5.0	8.7 - 10.5	1.5 - 2.0	6	2.1	4700	5800	9000
5.0	8.7 - 10.5	2.0 - 4.0	8	2.1	4700	5800	9000
5.0	8.7 - 10.5	4.0 - 6.0	10	2.1	4700	5800	9000
5.0	8.7 - 10.5	6.0 - 8.0	12	2.1	4700	5800	9000
5.0	8.7 - 10.5	8.0 - 11.0	16	2.1	4700	5800	9000
5.0	8.7 - 10.5	11.0 - 13.0	18	2.1	4700	5800	9000
5.0	8.7 - 10.5	13.0 - 16.0	20	2.1	4700	5800	9000
5.0	8.7 - 10.5	16.0 - 19.0	25	2.1	4700	5800	9000