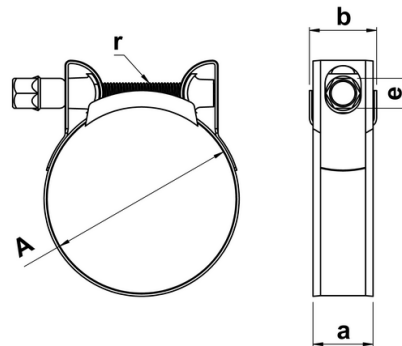




## Mikalor Supra Hose Clamps W2 with a Black Satin Finish

Mikalor Supra Hose Clamp, with a black lead-free epoxy coating. Black Mikalor Supra heavy duty hose clamps are a T-bolt design, and allow the clamp to exert an even pressure, securing highly pressurised hoses or pipes. These clamps function well at high temperatures making them suitable for exhaust pipes and coolant or turbo hoses. The beveled edges on the clamping band protect the hose from harm. The ingenious Mikalor "flip open front" allows easy fitment to pipes and hoses without overly stressing the clamp during assembly. The black epoxy coating on these W2 hose clamps offers a satin finish and additional corrosion resistance.



A (mm)	r	e	a	b	Max. Torque(Nm)	Max. Pressure(Bars)
<b>29-31</b>	M7	10	20(+03)	22	13	40
<b>31-34</b>	M7	10	20(+03)	22	13	40
<b>34-37</b>	M7	10	20(+03)	22	13	40
<b>37-40</b>	M7	10	20(+03)	22	13	40
<b>40-43</b>	M7	10	20(+03)	22	13	40
<b>43-47</b>	M7	10	20(+03)	22	16	36
<b>47-51</b>	M7	10	20(+03)	22	16	36
<b>51-55</b>	M7	10	20(+03)	22	16	36
<b>55-59</b>	M7	10	20(+03)	22	16	36
<b>59-63</b>	M7	10	20(+03)	22	16	36
<b>63-68</b>	M7	10	20(+03)	22	16	36
<b>68-73</b>	M8	13	25(+04)	27.5	30	28
<b>73-79</b>	M8	13	25(+04)	28	30	28
<b>79-85</b>	M8	13	25(+04)	27.5	30	28
<b>85-91</b>	M8	13	25(+04)	27.5	30	20