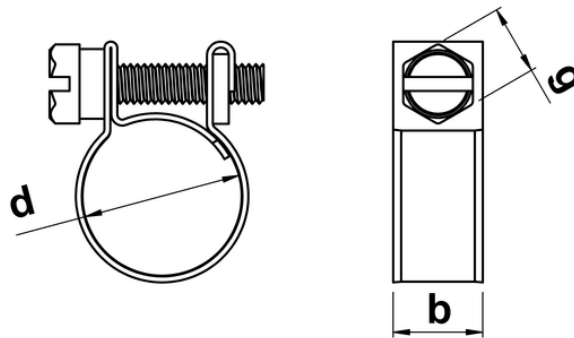




Mini Clips in A2 Stainless Steel

The Mini Clip, also known as the Nut & Bolt, Fueline or Petrol Pipe Clip is tailor made for many small diameter constructions where wide adjustment span is not necessary. This clip is manufactured in grade 304 (A2) stainless steel.



d (mm)	Max. Torque (Nm)	b (mm)	g (mm)
7-9	1.5	9	7
8-10	1.5	9	7
9-11	1.5	9	7
10-12	1.5	9	7
11-13	1.5	9	7
12-14	1.5	9	7
13-15	1.5	9	7
14-16	1.5	9	7
15-17	1.5	9	7
16-18	1.5	9	7